

## Prysm 84 Visual Workplace Solution

Transform your workplace with the Prysm 84 Visual Workplace Solution powered by the Prysm Application Suite. Prysm Visual Workplace Solutions deliver powerful features with an interface that's as easy to use as a tablet. Packed with tools that bring together people, content and ideas, they display streaming video, web apps, documents, presentations, images and inputs from laptops and mobile devices with a simple tap. Size, position and annotate any content on screen through the touch interface. Mirror up to ten Visual Workplaces to extend real-time collaboration across multiple sites. With Prysm Visual Workplace Solutions, you'll streamline workflow, increase productivity, accelerate decision making and change the way you work – forever.

For more information, contact us at [sales@prysm.com](mailto:sales@prysm.com), +1.408.586.1100 or 1.877.99.PRYSM.



### Target Applications

Room Types	<ul style="list-style-type: none"> <li>▶ Conference rooms</li> <li>▶ Team spaces</li> <li>▶ Board rooms</li> <li>▶ Briefing centers</li> <li>▶ Training rooms</li> <li>▶ Demo centers</li> </ul>
Room Size	Small and medium rooms, 4 – 10 people
Ambient Light	Suitable for normal indoor ambient lighting conditions (avoid direct sunlight)

### Display Characteristics

Display Resolution (W × H)	3840 × 2160 pixels
Refresh Rate	100/120 Hz
Max Input Resolution and Frame Rate	3840 × 2160 @ 60 Hz
Total Pixel Count	8.3 million
Display Active Area (W × H × diagonal)	73 in × 41 in × 84 in 1860 mm × 1047 mm × 2134 mm
Display Aspect Ratio (W/H)	16 : 9
Display Color	1.6 billion colors
Panel Brightness (typical)	350 cd/m
Panel Contrast Ratio	1400:1
Backlight Illumination	Edge LED
Response Time (typical)	5 ms
Pixel Pitch	0.48 mm × 0.48 mm
Ideal Viewing Distance	3 – 20 ft 1 – 6 m
Display Dimensions (W × H × D, with handles)	76.7 in × 46.8 in × 3.7 in 1949 mm × 1188 mm × 95 mm
Cover Glass	Tempered Anti-Glare glass, 0.1 inch
Touch Type	High-resolution IR
Touch Points	20 simultaneous touch points
Touch Resolution	0.4 mm
Touch Update Rate	150 Hz
Touch Latency	<15 ms
Touch Accuracy	<3 mm
Audio	Two speakers, 10 W each

### Application Appliance (X30)

Video Output	NVIDIA® Quadro® K1200 (4x Mini DisplayPort 1.2)
Video Capture/Input <sup>1</sup>	4x HDMI 1.4a
Processor	Intel® Xeon E3
Storage	256 GB SSD
Dimensions (W × H × D)	13.3 in × 3.95 in × 15.0 in 338 mm × 100 mm × 381 mm

### Accessories

Sold separately	Interactive Input Controller <sup>2</sup> QuadLynk <sup>3</sup>
-----------------	--

<sup>1</sup> HDCP-compliant HDMI inputs accept HDMI live source inputs at 720p @ 60 Hz and 1080p @ 60 Hz, such as laptops, tablets, VTC, HDTV. HDCP-encoded content connected as a live source is not displayed.

<sup>2</sup> IIC enables control of a connected laptop (Mac, Win, Linux) from the display via USB and one HDMI input.

<sup>3</sup> QuadLynk allows the sharing of video sources such as laptops, cameras, media players, and video teleconferencing systems via HDMI connections.

continued on reverse

### Environmental

	Display	Application Appliance
Weight	245 lbs, 111 kg	16.0 lbs, 7.2 kg
Power Consumption	Max: 560 W Standby: ≤ 0.5 W	Max: 155 W Typical: 130 W Sleep: 2.1 W
Operating Temperature	41 – 104 °F 5 – 40 °C	40 – 95 °F 5 – 35 °C
Storage Temperature	-4 – 140 °F -20 – 60 °C	-40 – 140 °F -40 – 60 °C
Humidity (non-condensing)	35 – 85 RH	Up to 85% (operating)
Power Supply	100 – 240 VAC	100 – 240 VAC

### Regulatory

FCC	FCC CFR Title 47 Part 15 Subpart B: Class A, CISPR 22 ANSI C63.4 ICES-003 Issue 5
CE	EN 55022, EN 55024, EN 61000-3-2, EN 61000-3-3
cTUVus	UL 60950-1 CAN/CSA-C22.2 NO.60950-1-07
CB	IEC 60950-1
CCC	GB9254, GB4943.1, GB17625.1
CEL	GB21520

### Display Stand/Cart

Exterior Width (max)	48.0 in, 1220 mm
Exterior Depth (max)	24.5 in, 623 mm
Weight	120.0 lbs, 54.4 kg
Included Parts	Camera tray, accessories tray and castors

### Application Appliance Cabinet

Dimensions (W × H × D)	30.0 in × 20.3 in × 5.1 in 762 mm × 516 mm × 129 mm
Weight	28.5 lbs, 12.9 kg

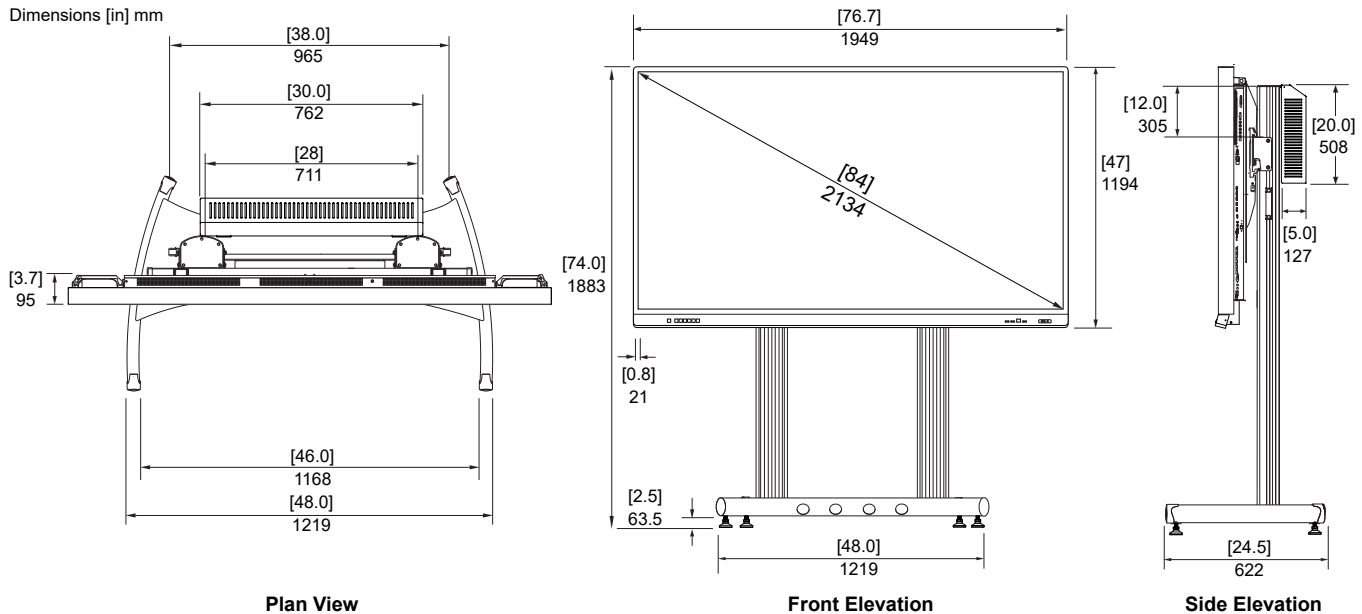
### Wall Mount

VESA Options	600 mm horiz. × 600 mm vert. 600 mm horiz. × 500 mm vert. 600 mm horiz. × 400 mm vert.
--------------	--

### Clearances

Minimum Ceiling Height	96.0 in, 2438 mm
Display Start Height	38.0 in, 965 mm Add 3 inches, 76 mm for castors
Required Clearances — Passive Ventilation	Front: 12.0 in, 300 mm Rear: 8.0 in, 200 mm

Dimensions [in] mm



Contact us at [sales@prysm.com](mailto:sales@prysm.com), +1.408.586.1100 or 1.877.99.PRYSM with the following product information:

Product ID: PR-LCDAV-84  
Part Number: 038-00087-01

### Disclaimer:

The information contained herein is subject to change without notice. The only warranties for Prysm products and services are set forth in the express warranty statements accompanying the applicable customer agreement. Nothing herein should be construed as constituting an additional warranty. This document is provided solely for general informational purposes. Prysm shall not be liable for technical or editorial errors or omissions contained herein. Video wall display characteristics may vary from the tile display characteristics specified herein based upon factors including, but not limited to, the size of the video wall and display configuration settings. All trademarks mentioned are the property of their respective owners.